



*Calla stand in black with Calla-Flip adapter plate & base plate with PC box*

## Calla stand

Our in-house designed Calla stand combines plain elegance with smart details. Its curved steel pipe contains an inside cable guide - from the back of the display to a box in the foot of the display stand, where a Mini PC conveniently fits in.

With our Calla stand you can firmly position your displays in any place or alternatively use it flexible on wheels.

The Calla stand is equipped with the **Calla-Flip adapter plate**. With this special plate you can easily rotate the mounted display. This way you can use your display according to your needs in portrait or land-scape format.

An optional **rotation sensor** conveys the signal of the change in rotation of the display to the operation system. Hence the screen content adjusts already during the rotary motion to the new angle. Quite like we are used to from our daily mobile phone use.



*Calla stand with Calla-Flip and rotation sensor*

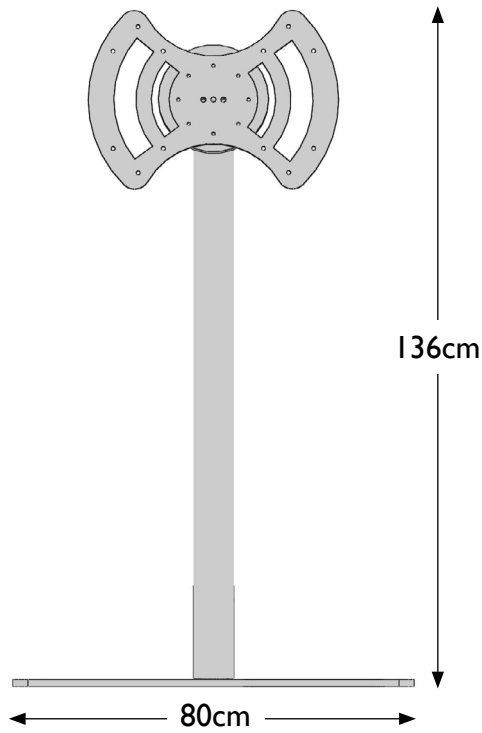
## Possible uses

Exhibition and events
Digital signage
Interactive advertising panels
Presentation area in training and conference rooms
Visitor information systems e.g. for buses & trains, shopping centres, airports or museums
Check-in service

## Specifications

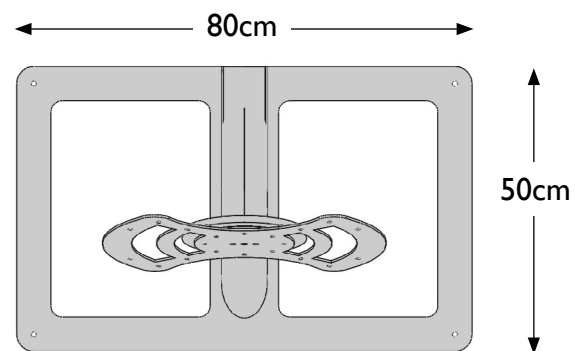
Dimensions	height 136 cm, pedestal: 80 x 50 cm
Weight	32 kg
Material	steel
Colour	black powder coating matte
Calla-Flip adapter plate	enables display rotation, VESA 400x400, 400x200, 300x300, 200x200
Rotation sensor (optional)	sends the rotation angle of the display to the operation system (only for Windows)
PC box	provides storage space for a Mini-PC with cable holes below and in the back, can be removed
Base plate	with pre-drilled holes for ground-anchoring or optional wheels
Wheels (optional)	set of 4 wheels

## Dimensions

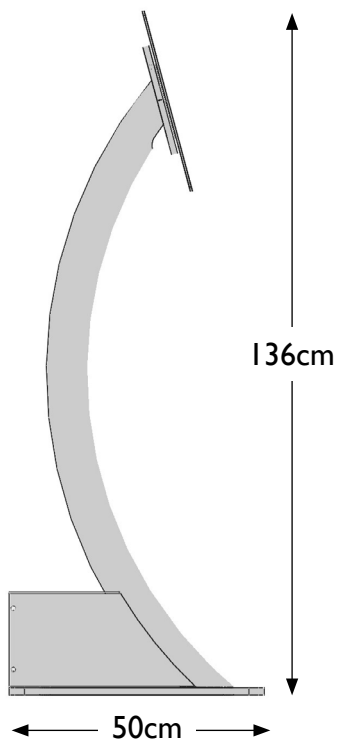


FRONT VIEW

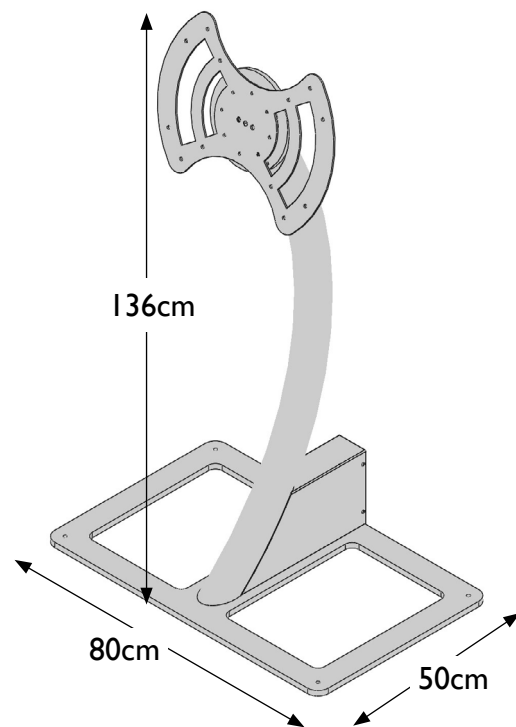
WEIGHT 32kg



TOP VIEW



SIDE VIEW



DIAGONAL VIEW